



fertil[™] dispenser

MONTAGGIO

Manufactured by Simeoni Tecnogreen

simeoni
tecnogreen

Simeoni Tecnogreen S.r.l.
Via Camolli, 9 - 33077 Sacile(PN) Italy
Phone +39 0434.738642
Fax +39 0434.70746
E-mail: info@simeonitecnogreen.com
www.simeonitecnogreen.com

fertilTM dispenser

MONTAGGIO



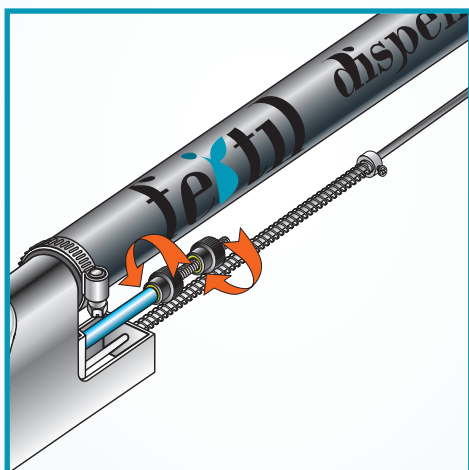
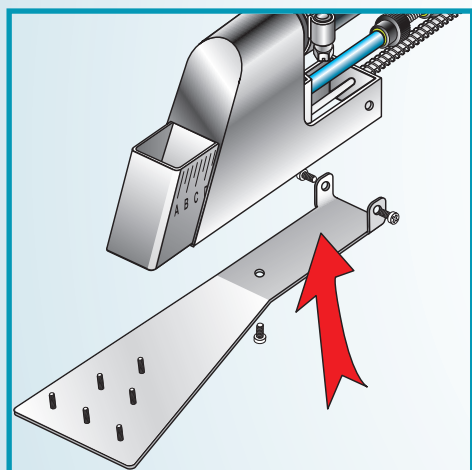
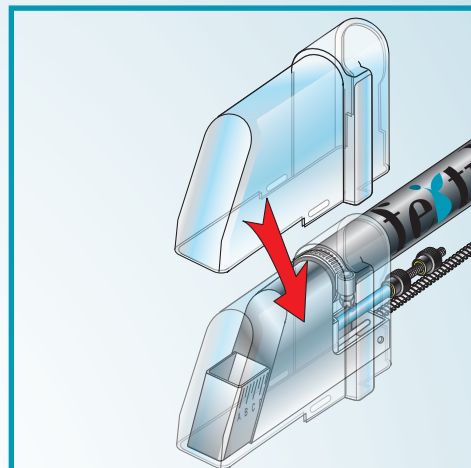
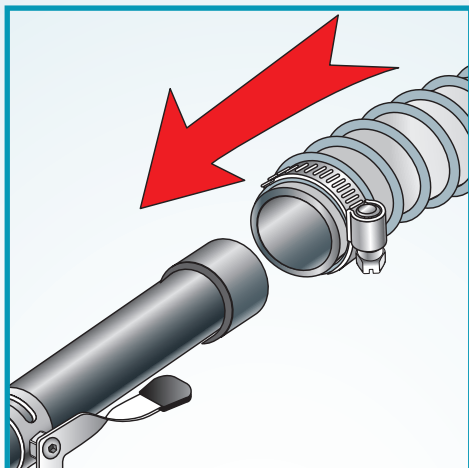
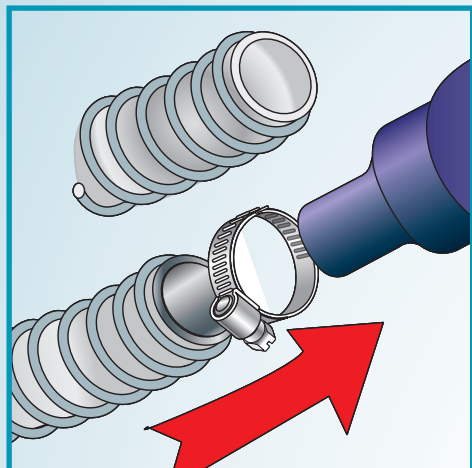
Manufactured by Simeoni Tecnogreen

simeoni
tecnogreen

Simeoni Tecnogreen S.r.l.
Via Camolli, 9 - 33077 Sacile(PN) Italy
Phone +39 0434.738642
Fax +39 0434.70746
E-mail: info@simeonitecnogreen.com
www.simeonitecnogreen.com

fertilTM dispenser

MONTAGGIO



Manufactured by Simeoni Tecnogreen

simeoni
tecnogreen

Simeoni Tecnogreen S.r.l.
Via Camolli, 9 - 33077 Sacile(PN) Italy
Phone +39 0434.738642
Fax +39 0434.70746
E-mail: info@simeonitecnogreen.com
www.simeonitecnogreen.com